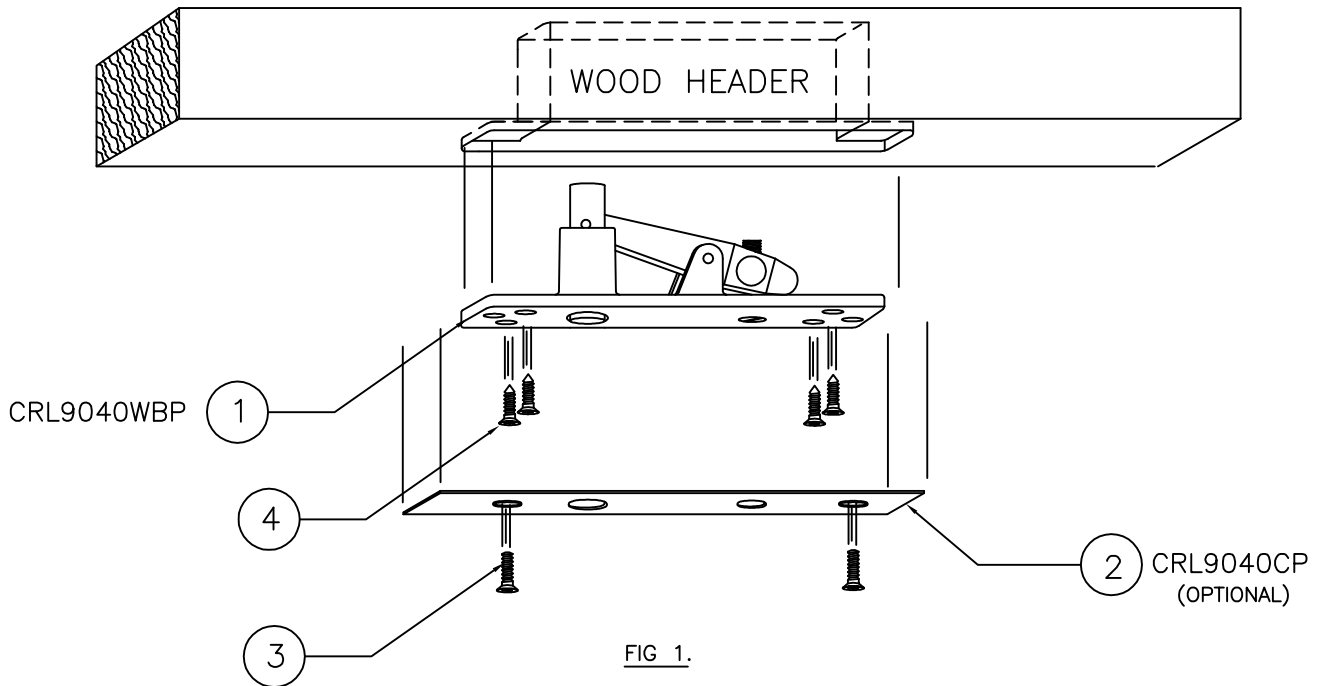


CRL9040WBP WALKING BEAM PIVOT INSTALLATION INSTRUCTIONS



1. ESTABLISH POSITION OF WALKING BEAM PIVOT IN HEAD RAIL.
(FOR 1/8" CLEARANCE, DISTANCE FROM JAMB TO C/L OF PIVOT IS 2.3/4")
2. CUT OUT REBATE AND SLOT AS SHOWN IN FIG 2 BELOW.
3. INSERT MAIN BODY ① INTO SLOT AND SECURE WITH
No 8 x 3/4" FLAT HD WOOD SCREWS.④
4. SECURE COVER PLATE ② WITH SCREWS ③ PROVIDED.

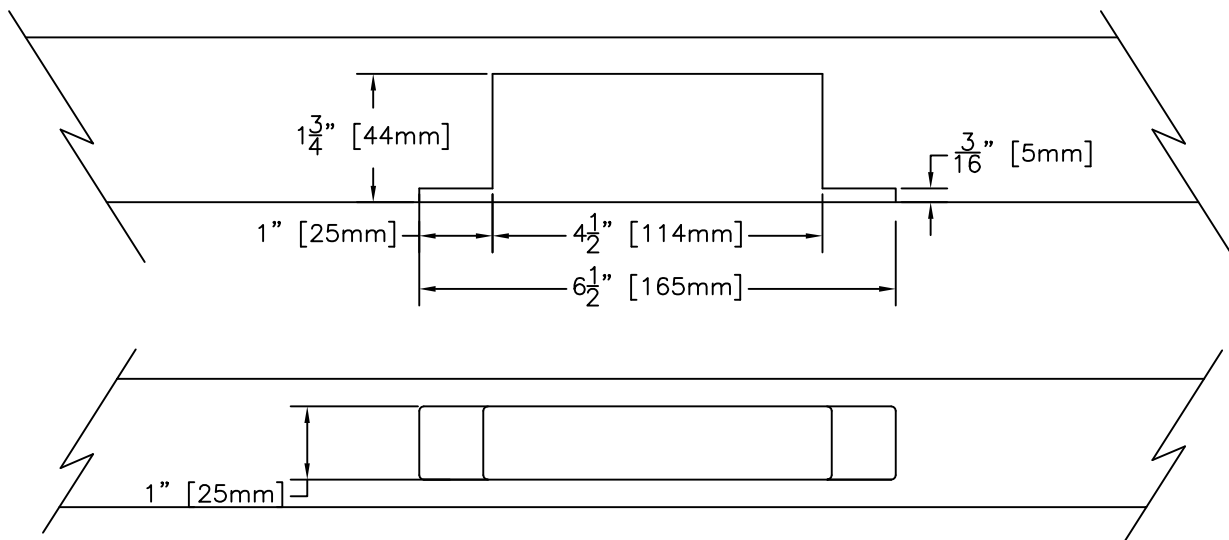


FIG. 2.